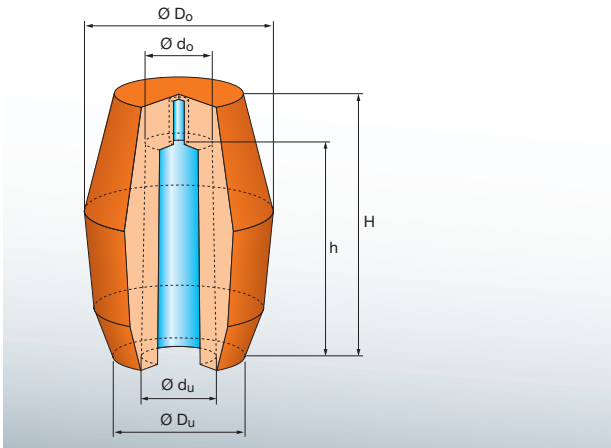


EXACTCAST KMV (EX / EXF)

Cold Box bonded, highly exothermic, fiber-free mini-risers for iron and cast steel



Riser Types & Dimensions



- Improved yield thanks to lower liquid iron content.
- Feeder geometry helps to prevent compaction shadows during moulding and compression.
- Extremely lightweight.

EXACTCAST KMV are available in the following dimensions and packaging:

Type	Module	Riser Capacity		Riser dimensions						Packaging
		Volume dm ³	Weight kg	Ø D _o mm	Ø D _u mm	H mm	h mm	Ø d _u mm	Ø d _o mm	
KMV 40	1.30	0.040	0.280	76	42	100	85	26	24	1,620
KMV 88	1.70	0.088	0.616	84	60	122	97	36	32	952
KMV 121	1.90	0.121	0.847	98	66	128	110	40	35	672
KMV 159	2.20	0.159	1.113	115	82	120	100	50	40	504
KMV 191	2.50	0.191	1.337	120	98	145	120	50	40	504
KMV 238	2.20	0.238	1.666	115	82	120	100	60	50	432
KMV 339	2.80	0.339	2.373	120	98	145	120	68	55	432
KMV 339B	3.20	0.339	2.373	140	98	145	120	68	55	288
KMV 590	3.80	0.590	4.130	142	110	150	125	80	75	288
KMV 780	4.20	0.780	5.460	170	128	205	165	80	75	128

EXACTCAST KMV (EX / EXF)

Technical & Ecological Advantages

- Lower finishing costs by reducing the riser contact area and removal improved by using breaker cores
- Reduced fettling and blasting costs
- The slim riser geometry prevents poor compaction at the moment of moulding or ramming
- Suitable for horizontal moulding lines when used in combination with spring pin
- Available in fluorine-free (EXF) and low-fluorine (EX) formulations
- Reduced graphite degradation with fluorine-free mini-riser types
- By using fluorine-free risers the sand system is free from fluorine contamination

Product Storage Conditions

- 36 months (if stored in dry conditions and intact original packaging)
- Protect from moisture
- Keep away from open flames and other ignition sources
- Read the Material Safety Data Sheet